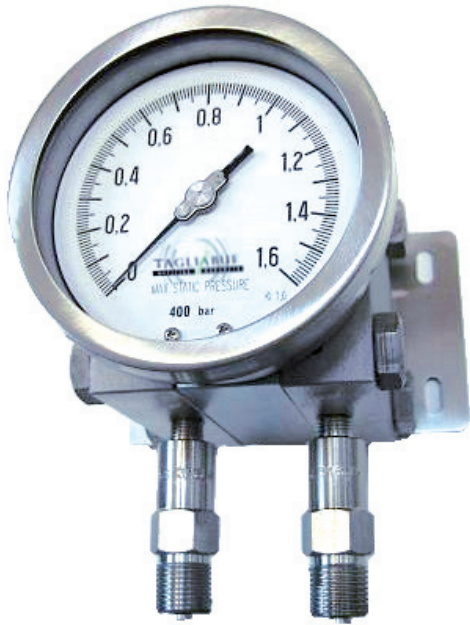


MTD ST400 · DIAPHRAGMS DIFFERENTIAL PRESSURE GAUGE



ATEX AVAILABLE

Suitable tools to indicate the differential pressure of fluids, both liquid and gaseous, even in the presence of high static pressure. The standard application is the installation in filtration plants, where this manometer may indicate pressure drops or flow and level differences.

It can be supplied on request with separators of the process fluid, in the case the latter is corrosive, crystallizable or high viscosity.

- Nominal diameter: 100 and 150 (mm)
- Precision: 1,6% EN837
- Operating temperature: environment -40°C/+65°C
Process fluid +150°C
- Thermal drift: +/-0,8% of the EOS for each variation of 10°C compared to the temperature of 20°C
- Elastic element: AISI316L double diaphragm
[Optional: Hastelloy C276, Monel400]
- Transmission shaft: Inox
- Process connection: AISI316L 1/4" Npt-F or 1/2" Gas-Npt
[Optional: Hastelloy C276, Monel400, flanged connection]
- level of protection IP65
- Cell fluid filling: silicone fluid [Optional:
fluid compatible with food industry / oxygen]
- Cell sealing elements: Viton and PTFE
- Casing: AISI304 case and ring, bayonet system
[Optional: AISI316]
- Gearing: AISI304 made in Germany
- See-through: glass, Makrolon shell if electrical contacts required [Optional: safety glass]
- See-through seal: EPDM
- Pointer: black aluminum with micrometer
- Dial: white aluminium with black writing
[Optional: non-standard range and special dial even with logo]
- Mounting: direct or with rear bracket [Optional:
stainless steel bracket for 2" pipe mounting]

MTD ST400 · DIAPHRAGMS DIFFERENTIAL PRESSURE GAUGE

DIFFERENTIAL PRESSURE	ONE SIDE STATIC	BOTH SIDE STATIC	WIDE SCALE DN 100	WIDE SCALE DN 150
0/1 bar	400 bar	400 bar	270°	180°
0/1,6 bar	400 bar	400 bar	270°	180°
0/2,5 bar	400 bar	400 bar	270°	180°
0/4 bar	400 bar	400 bar	270°	180°
0/6 bar	400 bar	400 bar	270°	180°
0/10 bar	400 bar	400 bar	270°	180°

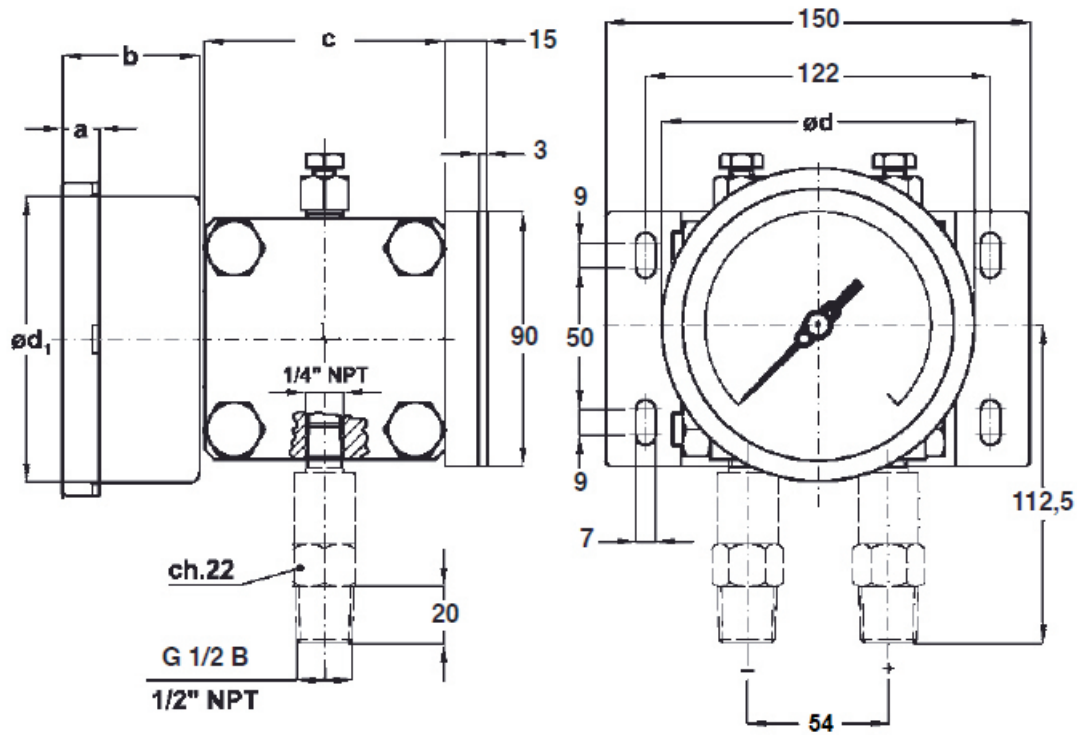
Other ranges and units available on request

OPTIONALS

SIGLA	OPTIONAL	NOTE
X	ATEX certificate	-
T	Calibration report	-
O	Degreasing for Oxygen use	-
G	Case filled with glycerine	T.amb. +15°C/+65°C, process fluid max 65°C
S	Case filled with silicone oil	T.amb. -40°C/+65°C, process fluid max 120°C
L	Case filled with fluorinated fluid	T.amb. -40°C/+65°C, process fluid max 65°C
I	Electric contact	Available PTB 99 ATEX 2219 X
P	Mounting bracket 2 "pipe	-
Q	Front mounting flange	-
A	AISI316L case and ring	-
M	Monel 400 wetted parts	-
H	Hastelloy C276 wetted parts	-
N	Tantalo diaphragms	-
E	Safety glass	
F	Fluid separators	According to standard tables or pattern
B	By-Pass and manifolds	Atex available
D	Non-standard process connections	

MTD ST400 · DIAPHRAGMS DIFFERENTIAL PRESSURE GAUGE

with back bracket mounting:

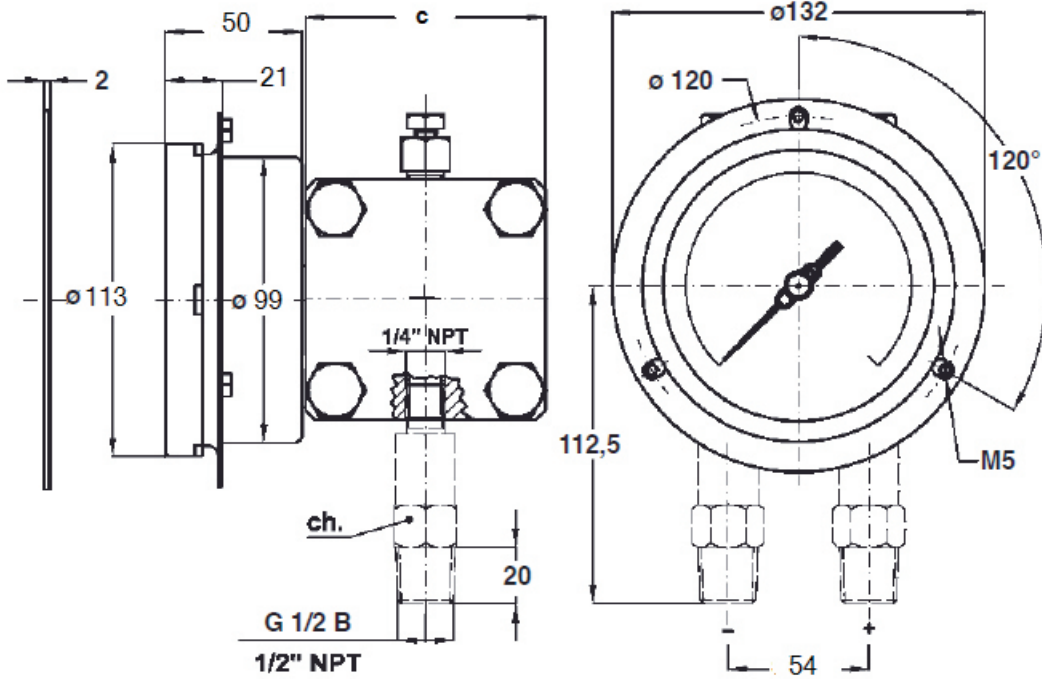


DN	a	b	c	d	d1
100	14,5	50	100	113	99
150	15,5	54	100	163	148

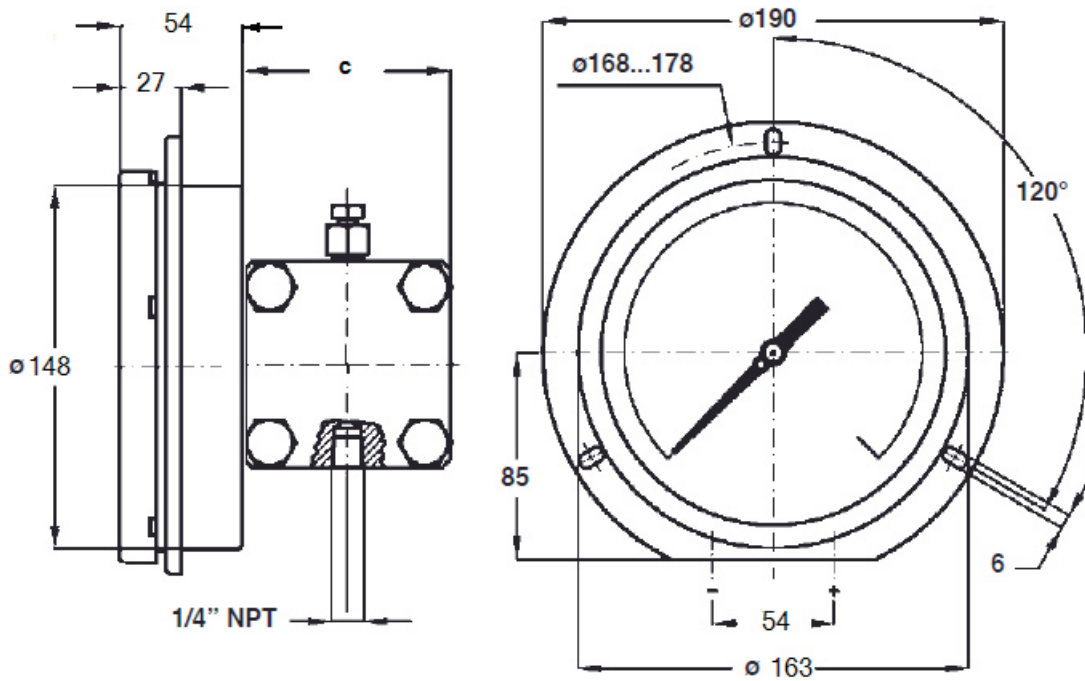
mm measures

MTD ST200 · DIAPHRAGMS DIFFERENTIAL PRESSURE GAUGE

front flange for panel mounting (DN100)



front flange for panel mounting (DN100)



mm measures